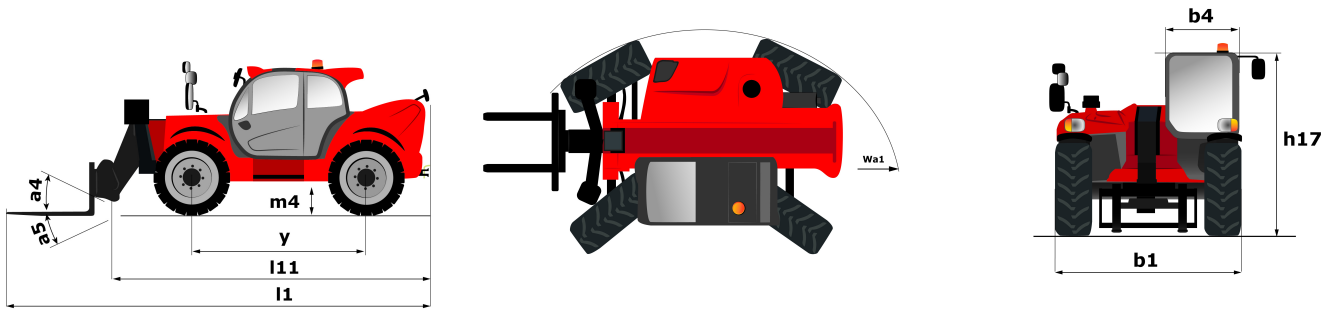

Karta danych technicznych :

MT 1840



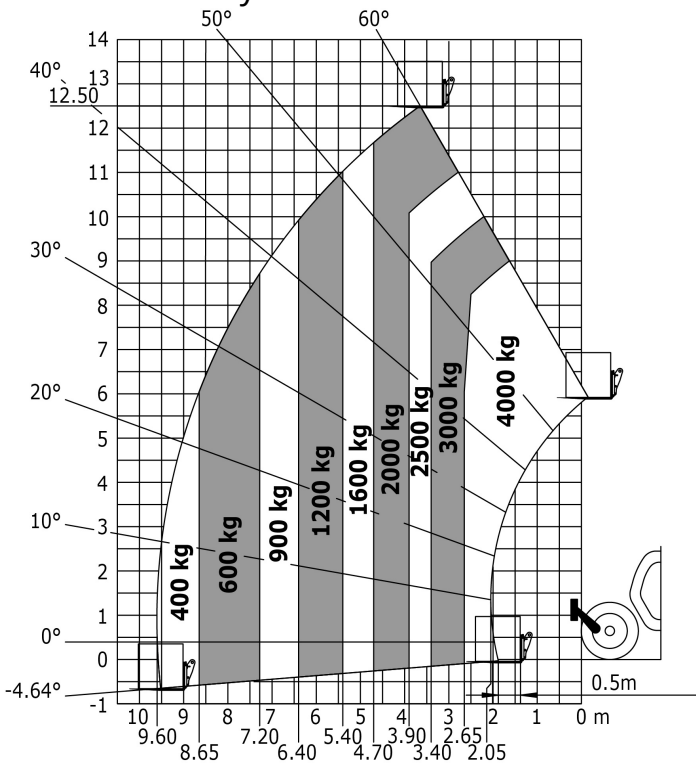
Capacities		Metryczny	Imperialny
Max. capacity	Q	4000 kg	8818 lbs
Max. lifting height	h3	17.55 m	57 ft 7 in
Max. Reach	l4	13.08 m	42 ft 11 in
Breakout force with bucket		8150 daN	8150 daN
Weight and dimensions			
Overall length to carriage	l11	6.27 m	20 ft 7 in
Overall width	b1	2.42 m	7 ft 11 in
Overall height	h17	2.5 m	8 ft 2 in
Wheelbase	y	3.07 m	0.121 in
Ground clearance	m4	0.42 m	1 ft 5 in
Overall cab width	b4	0.89 m	2 ft 11 in
Tilt-up angle	a4	12 °	12 °
Tilt-down angle	a5	114 °	114 °
External turning radius (over tyres)	Wa1	4.01 m	13 ft 2 in
Unladen weight (with forks)		11800 kg	26015 lbs
Tyres type		Pneumatic	Pneumatic
Standard tyres		Alliance 400/80 - 24 - 162A8	Alliance 400/80 - 24 - 162A8
Forks length / width / section	l / e / s	1200 mm x 125 mm x 45 mm	47.244 in x 4.921 in x 1.772 in
Performances			
Lifting		16 s	16 s
Lowering		12 s	12 s
Extension		16 s	16 s
Retraction		13 s	13 s
Crowd		4 s	4 s
Dump		4 s	4 s
Engine			
Engine brand		Perkins	Perkins
Engine norm		Stage IV / Tier 4 Final	Stage IV / Tier 4 Final
Engine model		854F-E34TA	854F-E34TA
Number of cylinders / Capacity of cylinders		4 - 3400 cm ³	4 - 207.48 in ³
I.C. Engine power rating - Power (kW)		100 Hp / 75 kW	100 Hp / 75 kW
Max. torque / Engine rotation		1400 Nm @ 1400 tr/min	1400 Nm @ 1400 tr/min
Drawbar pull (Laden)		7300 daN	7300 daN
Transmission			
Transmission type		Torque Converter	Torque Converter
Number of gears (forward / reverse)		4 / 4	4 / 4
Travel speed (laden)		24.9 km/h	15.5 mph
Max. travel speed (may vary according to applicable regulations)		24.9 km/h	15.5 mph
Parking brake		Automatic Negative Hand-brake	Automatic Negative Hand-brake
Service brake		Oil-immersed multi-discs braking on front & rear axles	Oil-immersed multi-discs braking on front & rear axles
Hydraulics			
Hydraulic pump type		Gear Pump	Gear Pump
Hydraulic flow / Pressure		170 l/min / 270 Bar	170 l/min / 19 PSI
Tank capacities			
Engine oil		135 l	29.70 gal
Hydraulic oil		135 l	29.70 gal
Fuel tank		140 l	30.80 gal
DEF tank capacity		12 l	2.64 gal
Noise and vibration			
Noise at driving position (LpA)		78 dB(A)	78 dB(A)
Noise to environment (LwA)		103 dB(A)	103 dB(A)
Vibration on hands/arms		0 Nm	0 ft/s
Miscellaneous			
Steering wheels (front / rear)		2 / 2	2 / 2
Drive wheels (front / rear)		2 / 2	2 / 2
Safety / Safety cabin homologation		Standard EN 15000 / Cab ROPS - FOPS Level 2	Standard EN 15000 / Cab ROPS - FOPS Level 2
Controls		JSM	JSM

Rysunek wymiarowy



Wykresy obciążenia

Machine on tyres with forks - with Metric



Machine on stabilizers with forks Metric

