

CASE
CONSTRUCTION

590 Super N

BACKHOE LOADER



590 Super N Backhoe Loader

ALL-AROUND PERFORMANCE.

The largest CASE backhoe loader is designed to dominate from bucket to bucket. In the front, a heavy-duty loader gets it done with breakout forces of nearly 13,700 lbs. The backhoe also delivers powerful breakout of more than 15,800 lbs., as well as a digging depth of 19.5 feet and an impressive lifting capacity of 4,000 lbs. In between sits a

CASE Quiet Cab with excellent sight-lines all around the machine, adjustable comfort settings and plenty of simple, productivity-boosting controls. And at its heart, it's powered by an efficient engine with SCR (Selective Catalytic Reduction) technology. It's performance from every angle. It's the 590 Super N.



590SN Highlights

- 1 **PowerLift™** channels additional hydraulic power to the backhoe to deliver lifting strength comparable to an 8-ton excavator.
- 2 **Exclusive ProControl swing dampening system** comes standard and minimizes backhoe rebound to provide precise control.
- 3 **Over-center backhoe design** provides better balance for smoother roading and also creates a better departure angle.
- 4 **Heavy-duty loader** designed with long arms for easier truck loading and in-line, parallel linkage for better balance with uneven loads.
- 5 **Auto-Ride Control™** (optional on 4WD models) helps with load retention by cushioning loader arm bounce at elevated speeds.
- 6 Exclusive to CASE, the **Comfort Steer™** option saves time during repetitive loader tasks by cutting lock-to-lock turns in half.
- 7 **New fuel efficiency options** include auto-idle, auto-shutdown and ECO-mode, which provides full power to the backhoe while in neutral.
- 8 **The industry's most maneuverable controls** with infinitely adjustable pilot control towers, a control pattern selector and adjustable wrist rests.
- 9 Floor-to-ceiling windows and a low-profile hood provide **maximum visibility** all around the machine.
- 10 Rear-quarter window opens 180° for an unobstructed view, enhanced airflow and easy communication with spotters around the machine.
- 11 **Adjustable SmartClutch** lets operators customize the feel of forward-to-reverse transitions (aggressive, moderate or soft) to suit their preference.
- 12 **Integrated hydraulic quick-coupler** (optional) lets operators switch out backhoe attachments from the convenience of their seat and comes factory-built into the machine – a CASE exclusive.
- 13 **New universal backhoe coupler** (optional) fits Cat® and John Deere attachments for expanded versatility.
- 14 N Series buckets come standard with the innovative **SmartFit™ bucket tooth system**, which has heavy-duty, self-sharpening teeth and a hammerless fastener system for easy installation.
- 15 **Exclusive “Easy Flex” side lights** are adjustable to provide overlapping fields of coverage for greater illumination at night.

SCR – A Strong Tier 4 Final Solution.

CASE chose an SCR (Selective Catalytic Reduction) Tier 4 Final solution to meet emissions regulations without sacrificing strength. That's because SCR is an after-treatment system. It lets the engine breathe easier and run at peak performance, which translates to maximum power. Plus, SCR is simple. No regeneration. No new filters. Just pour a little DEF (Diesel Exhaust Fluid) and go.



Over-Center Backhoe Design.

Our revolutionary over-center backhoe design locks the boom in toward the machine, transferring at least 15% of its weight to the front axle, which drastically improves stability to minimize “porpoising” during roading. You'll retain more material and comfortably travel up to a speedy 24 mph to, from and around the site.

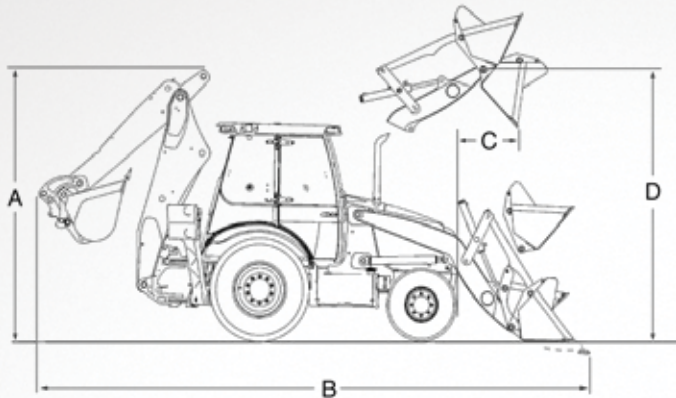


Cut Turns In Half With Comfort Steer™.

Exclusive to CASE, the Comfort Steer option reduces lock-to-lock rotations when moving from full right to full left (and vice versa). You can load, stockpile and backfill considerably faster with less operator discomfort throughout the day.



590SN



Line drawings are for illustrative purpose only and may not be exact representation of unit.

DIMENSIONS

590SN

A. Transport Height	139 in. (3 538 mm)
B. Overall Transport Length	286 in. (7 254 mm)
C. Dump reach at full height, 45° dump	29.2 in. (741 mm)
D. Hight To Bucket Hinge Pin Fully Raised	138 in. (3 496 mm)
Maximum Digging Depth, Standard/Extendahoe®	15 ft. 6 in. (4 720 mm)/19 ft. 6 in. (5 940 mm)

NOTE: Dimensions taken with 4WD, 21.0 L x 24.0 rear tires, and Long Lip bucket.

SPECIFICATIONS	590SN
Engine Make / Model	FPT F5BFL413A
Emissions Certification	Tier 4 Final
Gross HP – hp (kW)	110 (82)
Peak Torque – lb-ft (N·m)	339 (460)
Displacement / Cylinders – in. ³ (L)	207 (3.4)/4
Auxiliary Hydraulic Flow – gpm (L/min)	43 (162.6)
Loader Lift Capacity – lb. (kg)	8,202 (3 721)
Loader Bucket Breakout Force – lb. (daN)	12,776 (5 683)
Backhoe Lift Capacity at Ground Level – lb. (kg)	4,175 (1 894)
Backhoe Bucket Breakout Force – lb. (N)	15,853 (70 520)
Operating Weight – lb. (kg)	20,532 (9 309)

SiteWatch™

Standard on all N Series backhoe loaders, CASE SiteWatch telematics breaks the boundaries of fleet management by allowing you to monitor and manage multiple machines from your office, wherever that may be. No more manually tracking down engine hours and fuel levels. Get real-time performance metrics, idle-time analytics, scheduled maintenance intervals and programmable security alerts sent to any computer, anywhere.

Maintenance Made Easy.

When you buy a CASE, you want it to last. We make it simple. The N Series is no exception. From swing-out coolers and outboard-mounted disc brakes to ground-level site gauges and grouped service points under the flip-up hood, you can do daily maintenance in a matter of minutes. Plus, with the new SCR engine, there's no new maintenance needs.



©2014 CNH Industrial America LLC. All rights reserved. CASE is a trademark registered in the United States and many other countries, owned by or licensed to CNH Industrial N.V., its subsidiaries or affiliates. CNH Industrial Capital is a trademark in the United States and many other countries, owned by or licensed to CNH Industrial N.V., its subsidiaries or affiliates. Any trademarks referred to herein are the sole property of their respective owners. Printed in U.S.A.



SAFETY™ NEVER HURTS

Always read the Operator's Manual before operating any equipment. Inspect equipment before using it, and be sure it is operating properly. Follow the product safety signs and use any safety features provided.

NOTE: All engines meet current EPA emissions regulations.

NOTE: All specifications are stated in accordance with SAE Standards or Recommended Practices, where applicable.



Contains 10% post-consumer fiber

IMPORTANT: CASE Construction Equipment Inc. reserves the right to change these specifications without notice and without incurring any obligation relating to such change. Availability of some models and equipment builds vary according to the country in which the equipment is used. The illustrations and text may include optional equipment and accessories and may not include all standard equipment. Your CASE dealer/distributor will be able to give you details of the products and their specifications available in your area.



CASE construction equipment is biodiesel-friendly.